



**Office/Warehouse**

**Display & Graphic  
Applications**

## MOBILE SORTING LINE PARTITIONS

- Custom graphics to fit your needs and profession
- Custom configurations available



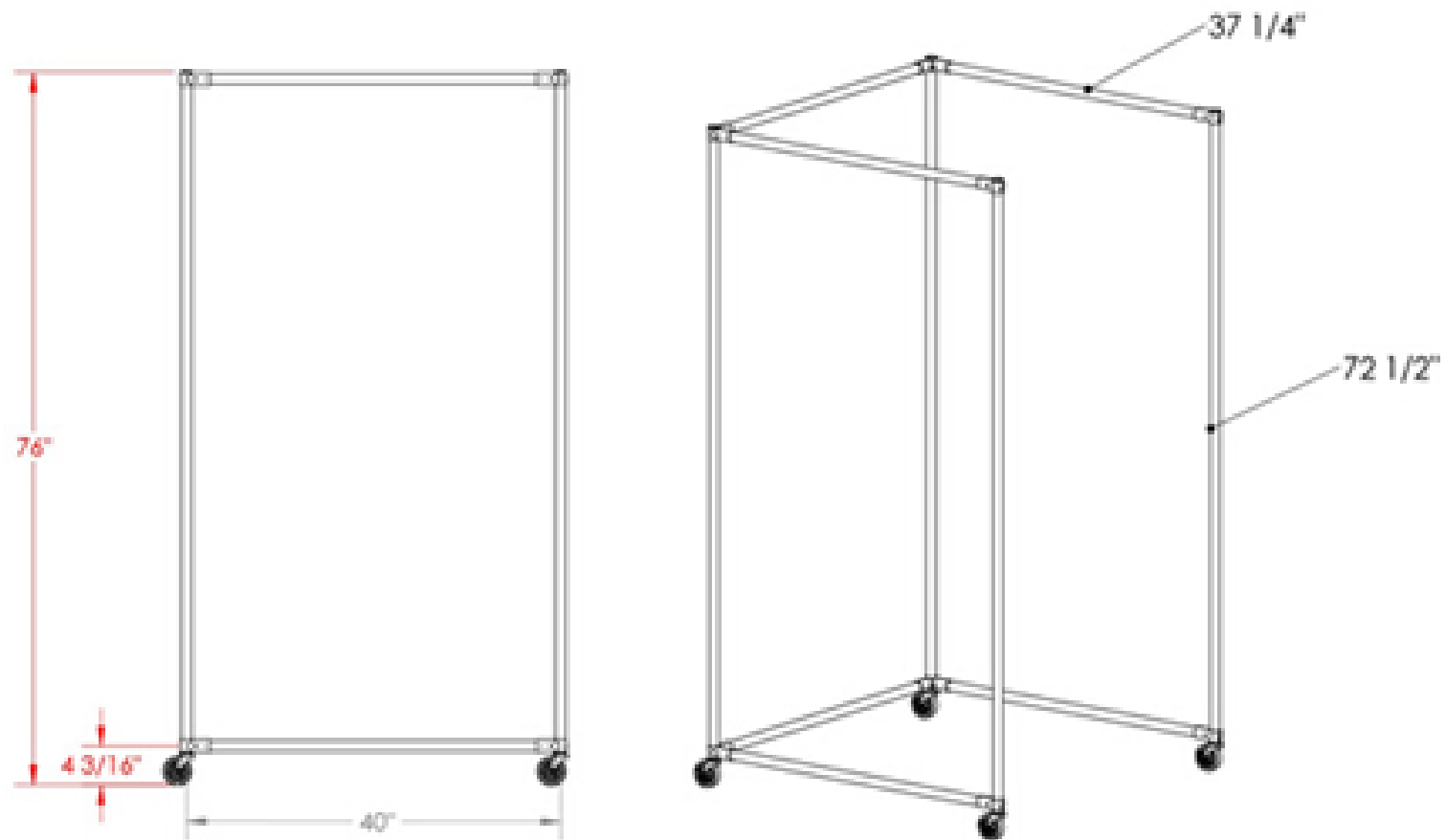
## MOBILE SORTING LINE PARTITIONS (CLEAR)

- Custom graphics to fit your needs and profession
- Custom configurations available



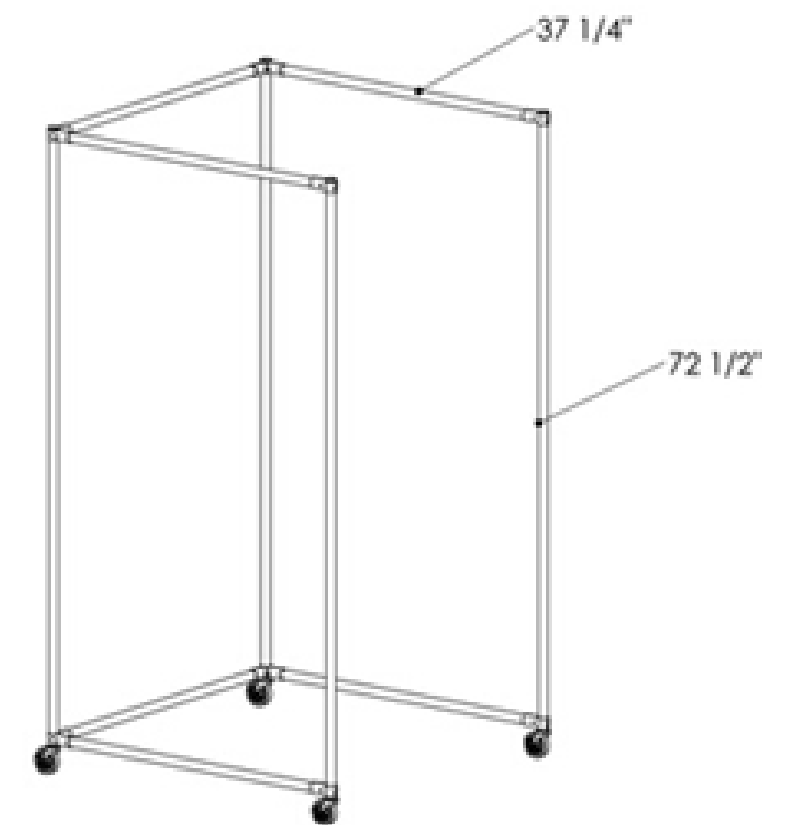
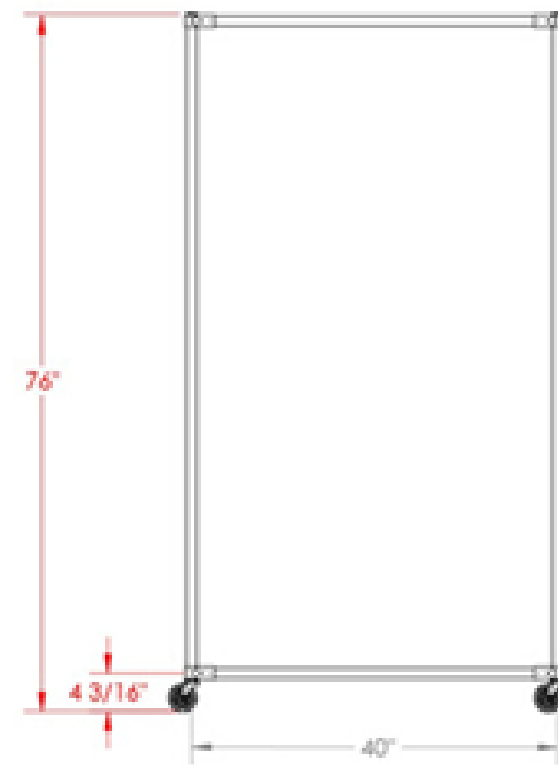
### 3-SIDED SHOP FLOOR PROTECTIVE DIVIDER (CLEAR)

- Custom graphics to fit your needs and profession
- Custom configurations available



### 3-SIDED SHOP FLOOR PROTECTIVE DIVIDER (WITH GRAPHIC)

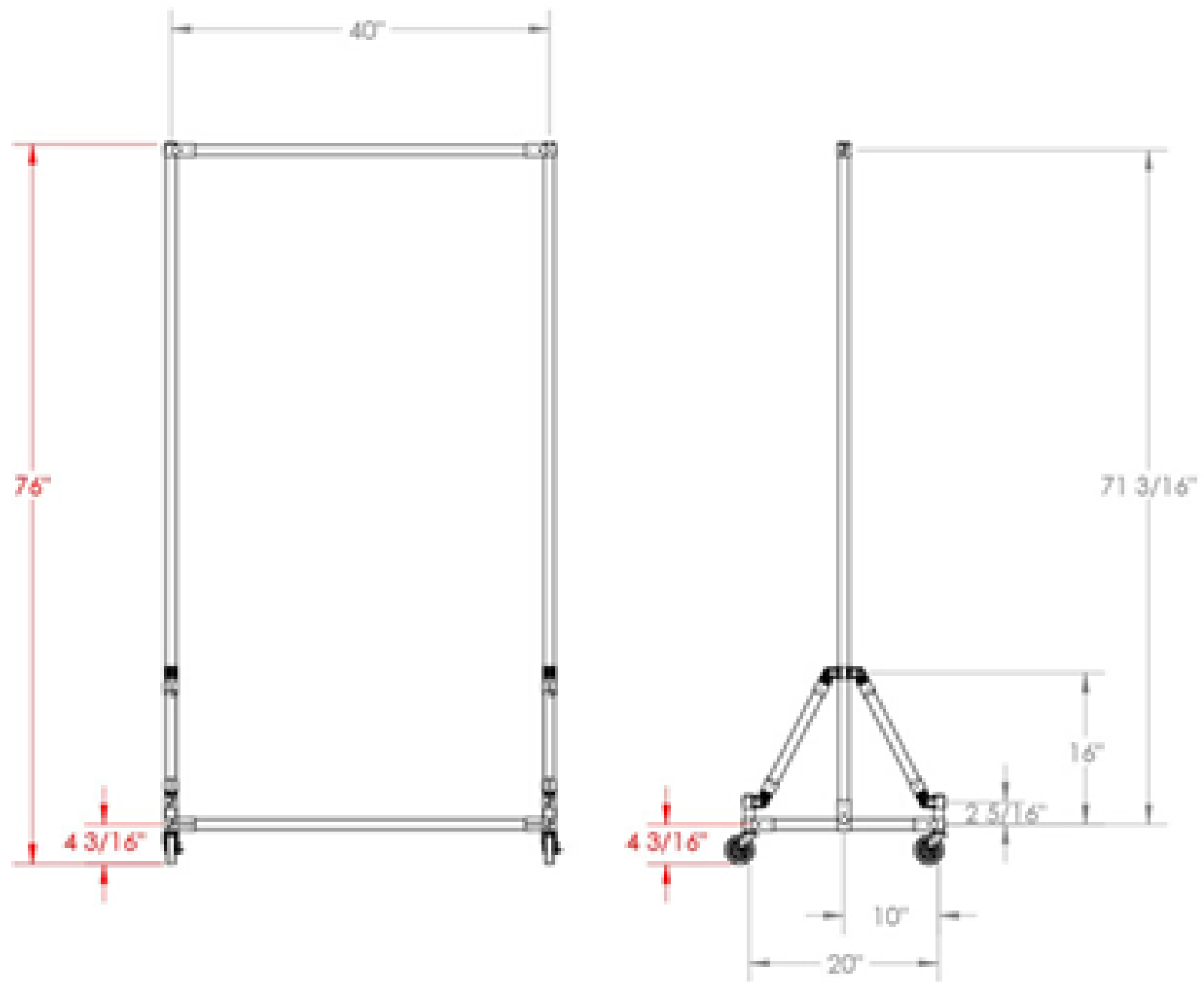
- Custom graphics to fit your needs and profession
- Custom configurations available



05

# MOBILE SIDE PANEL PROTECTIVE DIVIDER (CLEAR)

- Custom graphics to fit your needs and profession
- Custom configurations available



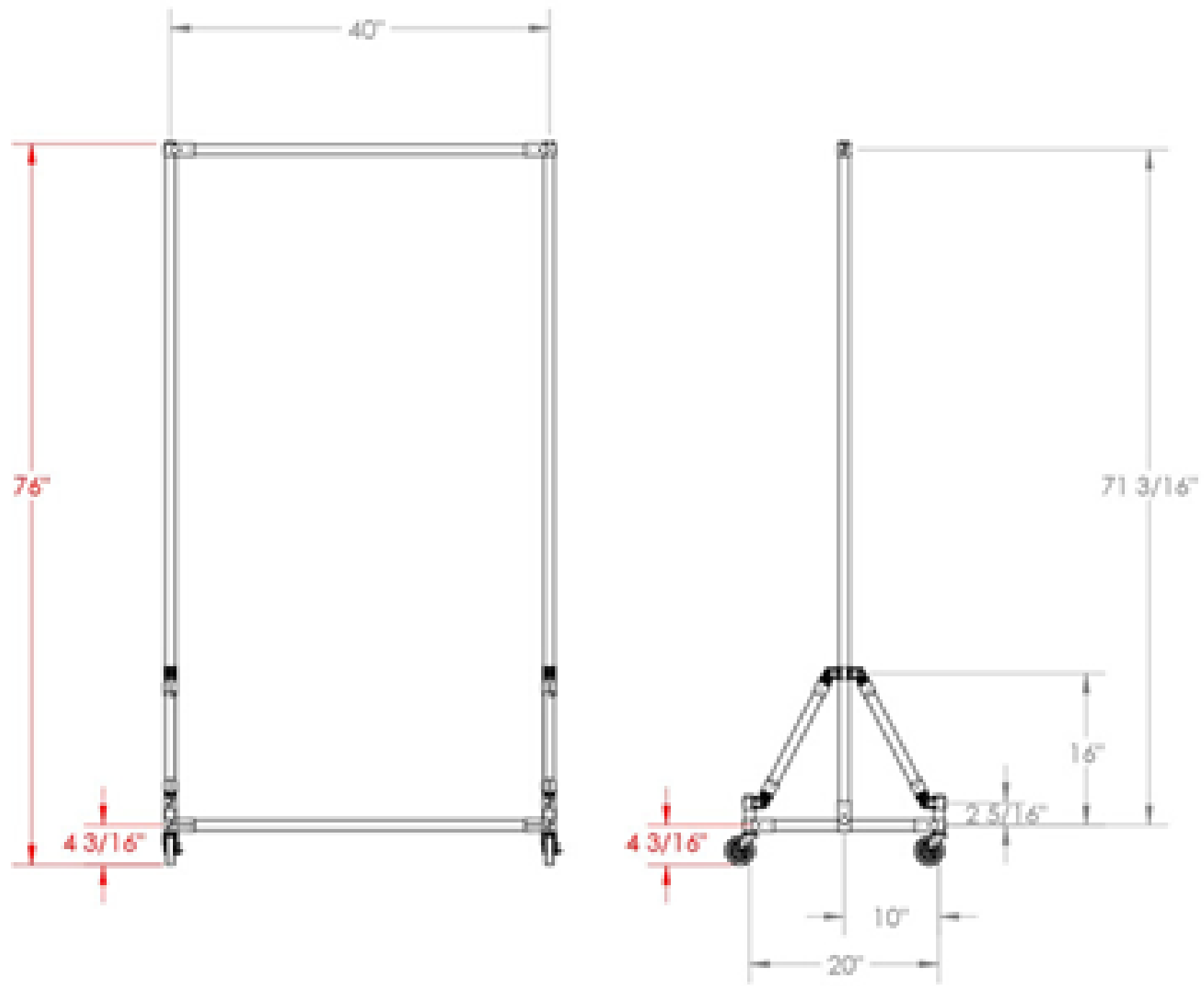
## MOBILE SIDE PANEL PROTECTIVE DIVIDER (WITH GRAPHIC)

- Custom graphics to fit your needs and profession
- Custom configurations available



# MOBILE SIDE PANEL PROTECTIVE DIVIDER (WINDOW VERSION WITH GRAPHIC)

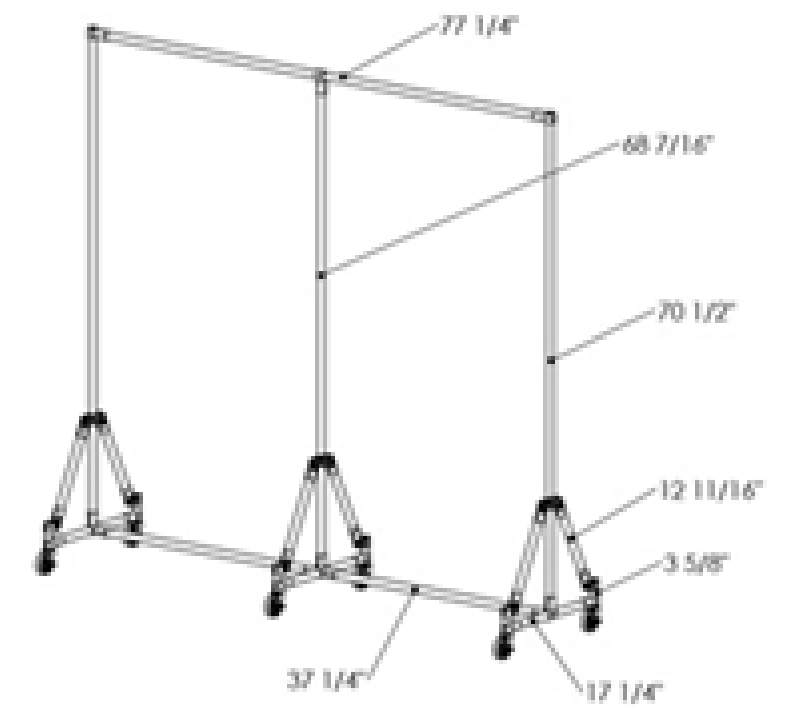
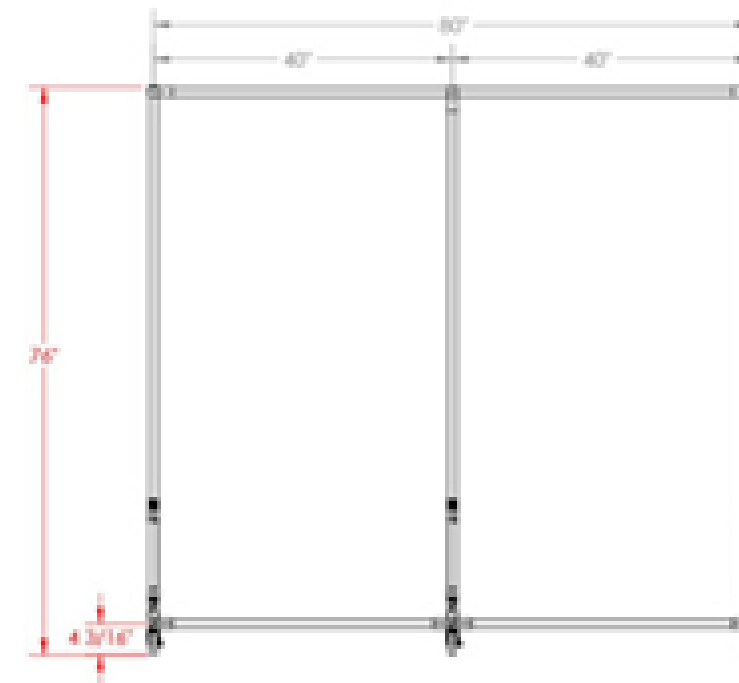
- Custom graphics to fit your needs and profession
- Custom configurations available





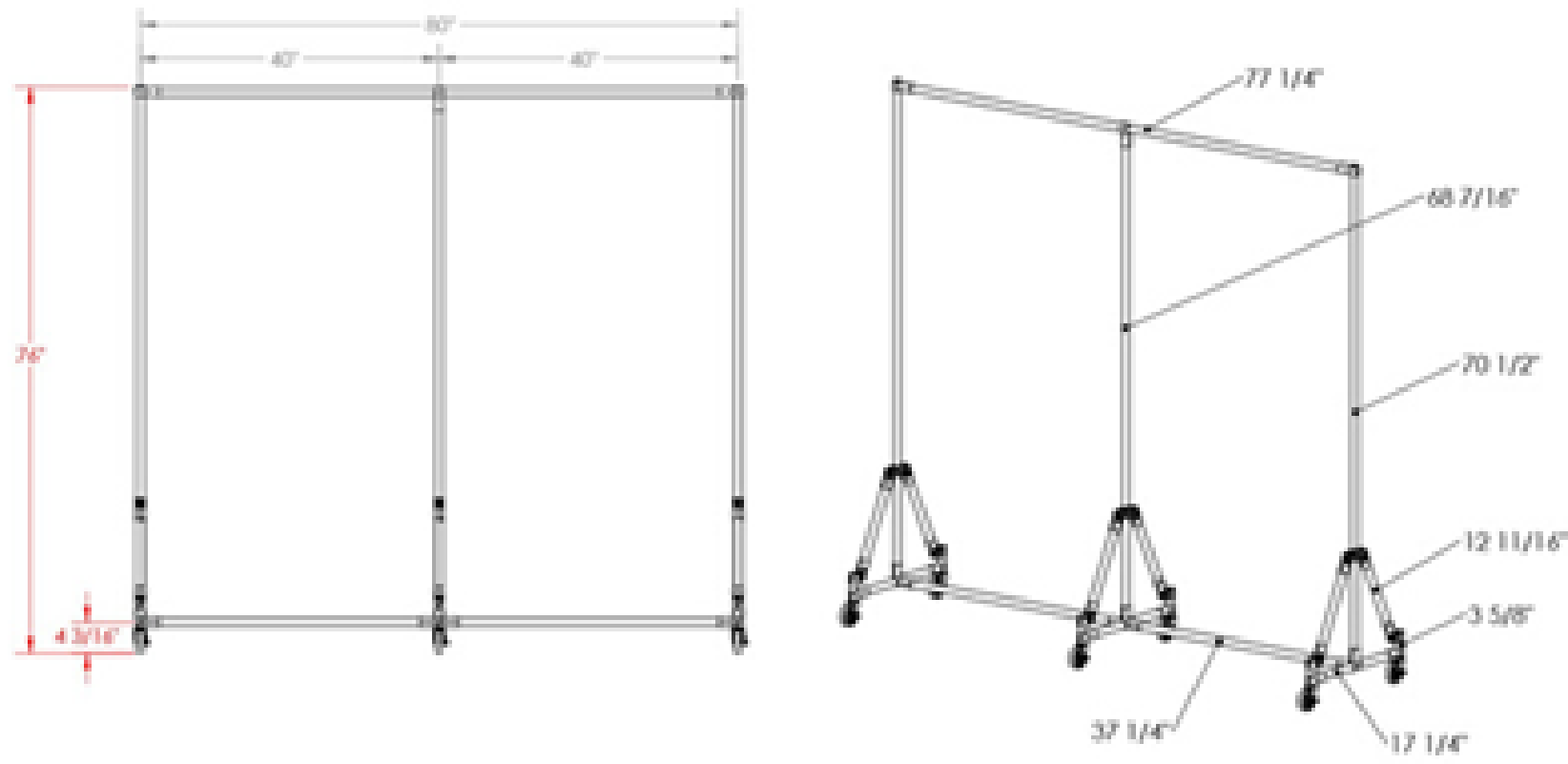
# MOBILE DOUBLE PANEL PROTECTIVE DIVIDER (CLEAR)

- Custom graphics to fit your needs and profession
- Custom configurations available



# MOBILE DOUBLE PANEL PROTECTIVE DIVIDER (WINDOW WITH GRAPHIC)

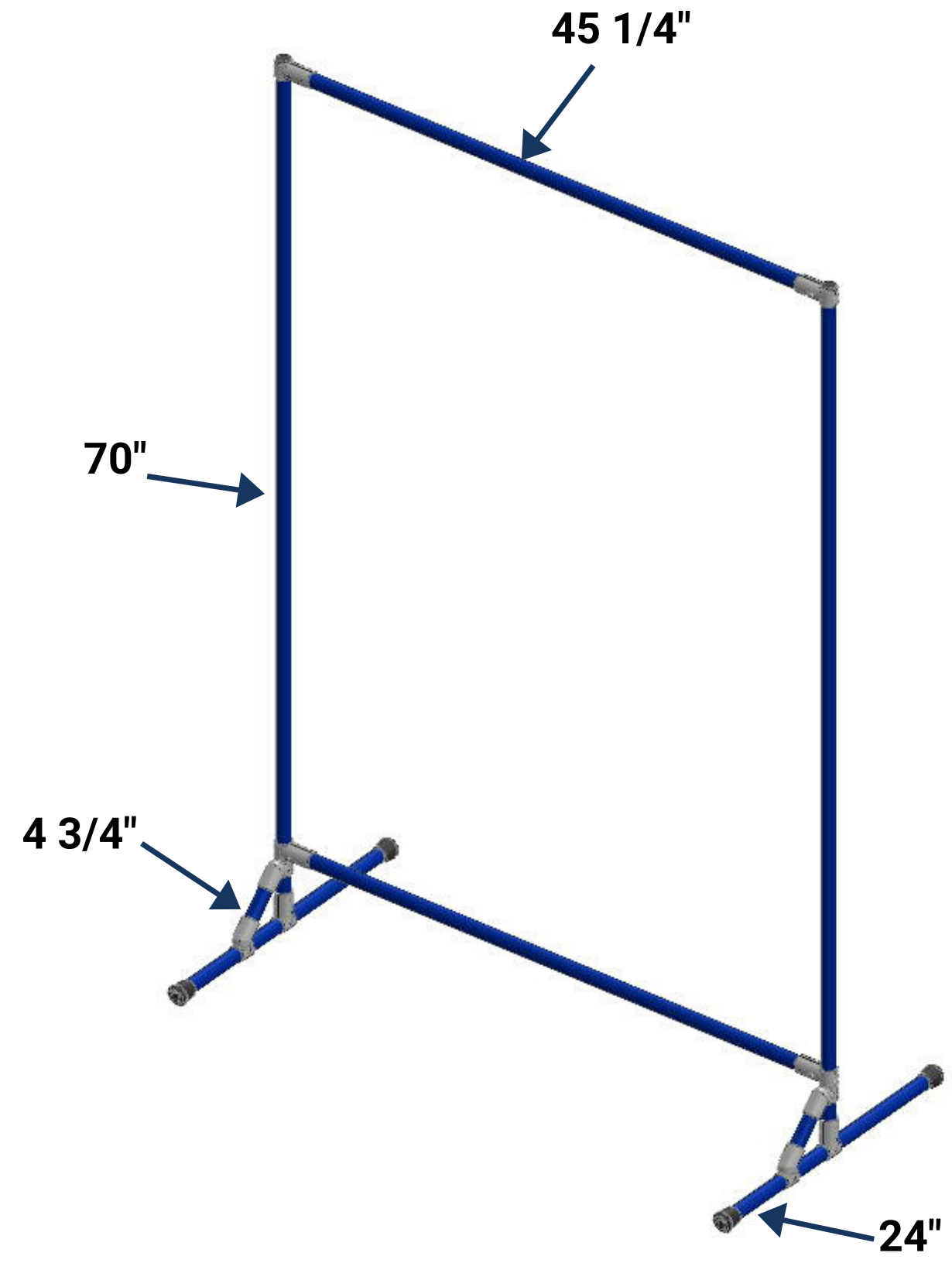
- Custom graphics to fit your needs and profession
- Custom configurations available



10

## 4' X 6' DIVIDER (WITH CLEAR PLASTIC)

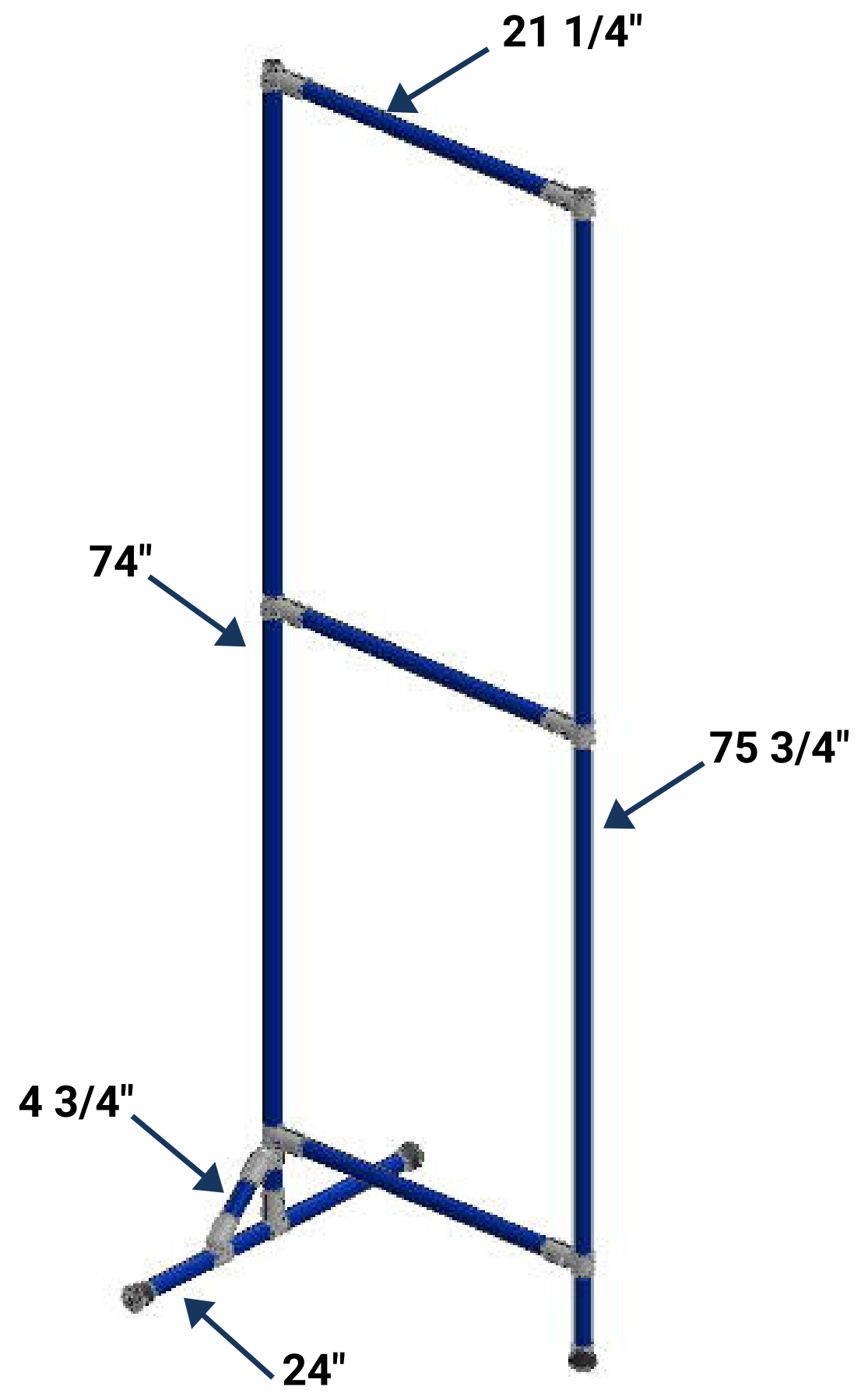
- Custom graphics to fit your needs and profession
- Custom configurations available



11

## BETWEEN TABLE DIVIDER (CLEAR)

- Custom graphics to fit your needs and profession
- Custom configurations available



12

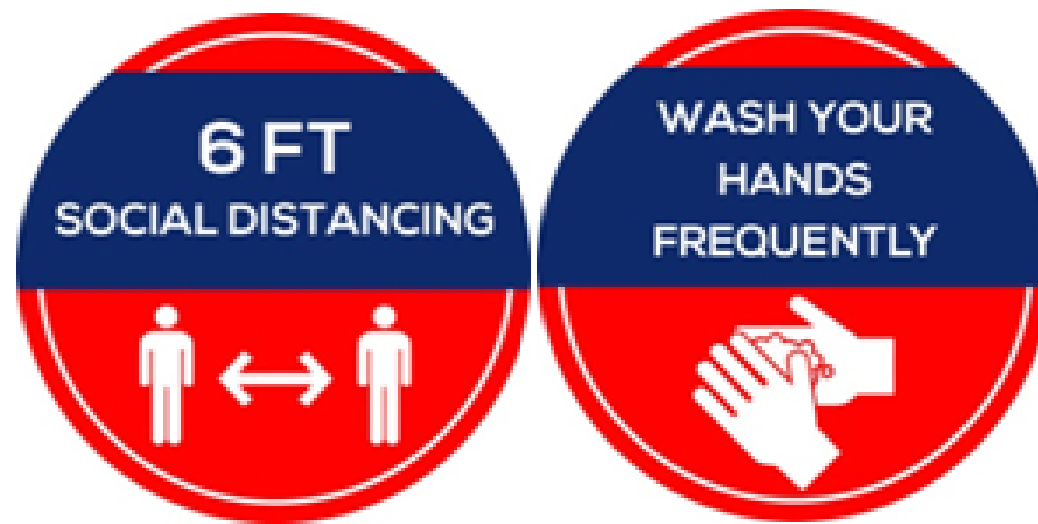
# FLOOR GRAPHICS

- Custom graphics to fit your environment
- Custom configurations/messaging available



## FLOOR GRAPHICS (CONT'D)

- Custom graphics to fit your environment
- Custom configurations/messaging available



## FREE STANDING DESK SNEEZE GUARD (CLEAR ACRYLIC)

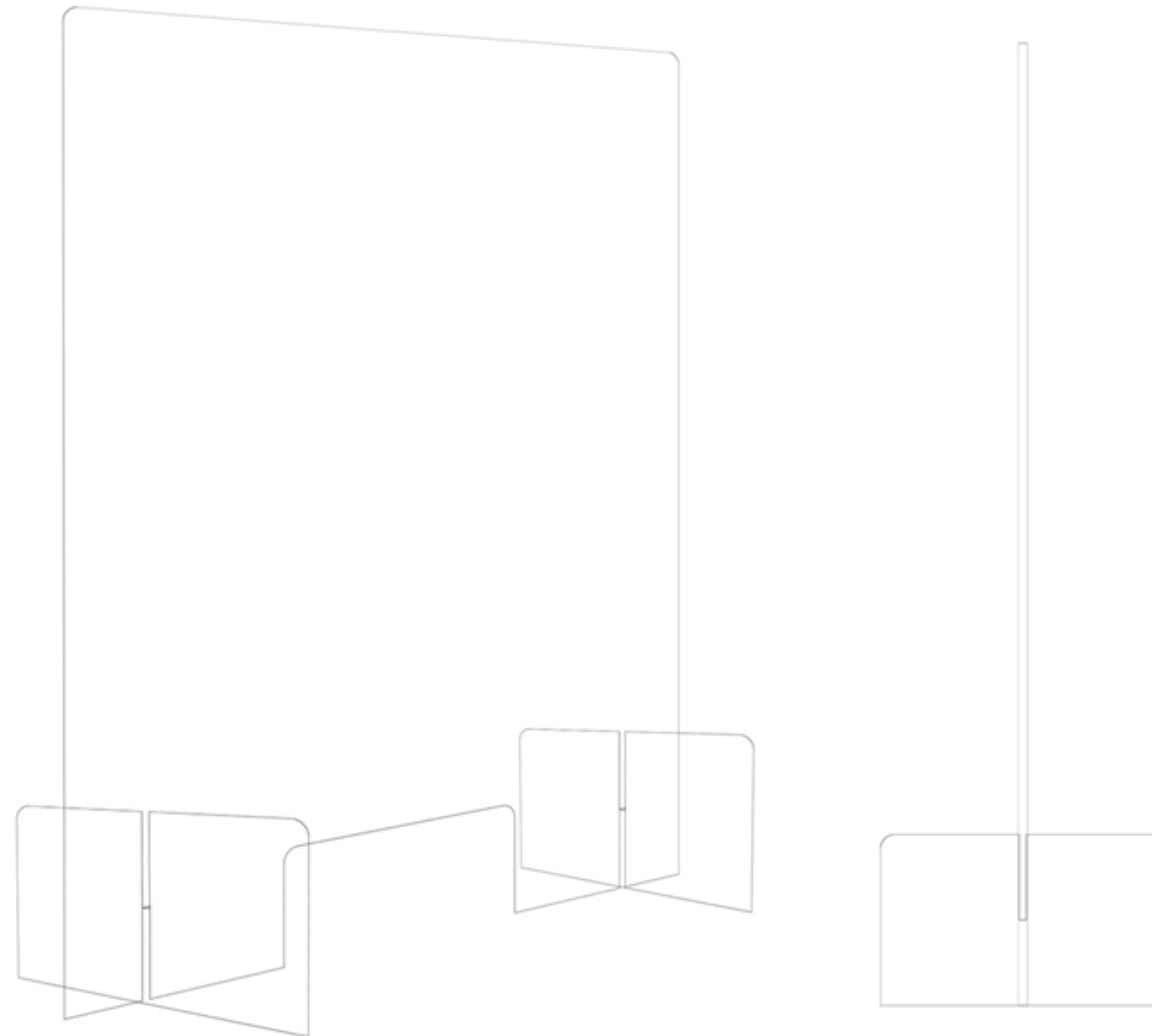
- 1/4" Thick
- Standard Sizes:
  - 23"h x 23"w
  - 23"h x 31"w
  - 23"h x 36"w
  - 31"h x 36"w
  - 31"h x 47"w
  - 30"h x 60"w
- Custom Sizes & Shapes Available Upon Request
- **VINYL DESK GRAPHICS**
  - 18" x 18"
  - Custom Sizes & Shapes Available Upon Request



# FREE STANDING DESK SNEEZE GUARD

Production Render

- Protect employees and customers by creating a barrier to help maintain social distancing
- Custom sizing available to match your needs and requirements



16



## WAITING ROOM SEATING DIVIDER

- 1/4" Thick
- Clear Acrylic
- Custom Sizes & Shapes Available Upon Request



# CONTACT US

## MAILING ADDRESS

41714 Haggerty Circle S, Canton, MI 48188

## PHONE NUMBER

(734) 414-8230

## EMAIL ADDRESS

[sales@fastube.com](mailto:sales@fastube.com)